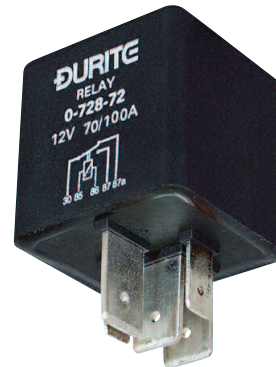


auto electrical parts

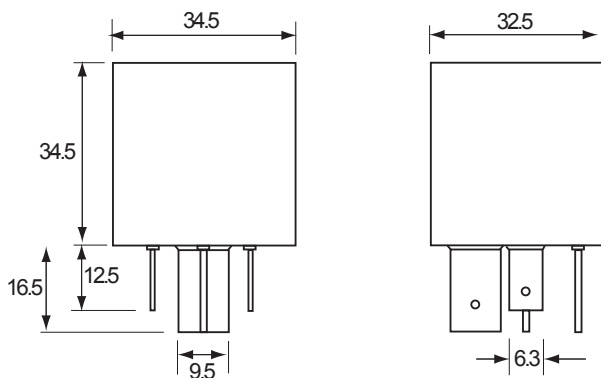
Technical Information Sheet

Part No. 0-728-72

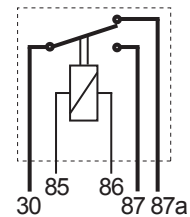
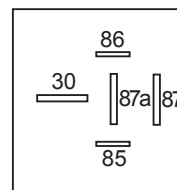
Mini heavy duty change over relay. 12 volt, 70/100 amp, sealed without bracket. 2 x 6.3mm and 3 x 9.5mm terminals.



Technical Drawing (not to scale)



Circuit Diagram



Specification

Type	Change over relay
Voltage	12 volt dc
Current	70/100 amp
Switching voltage	75 vdc maximum
Contact material	Silver alloy
Contact resistance	30mΩ
Voltage drop	200mV (at contact rating)
Coil operating voltage	7.8 volt
Coil dropout voltage	1.2 volt
Coil current	0.24 amp
Coil resistance	50Ω
Temperature range	-40°C to +85°C
Humidity	40 to 85% R.H.
Operating life	10 ⁷ (mechanical) 10 ⁵ (electrical)
Weight	35g
Dimensions	l 34.5 x w 32.5 x h 34.5mm (excluding terminals)

The information contained in this document is correct to the best of our knowledge at the time of printing. However, specifications may change at any time without notice.